

aquatica®

Function : Form : Fashion



CS-535

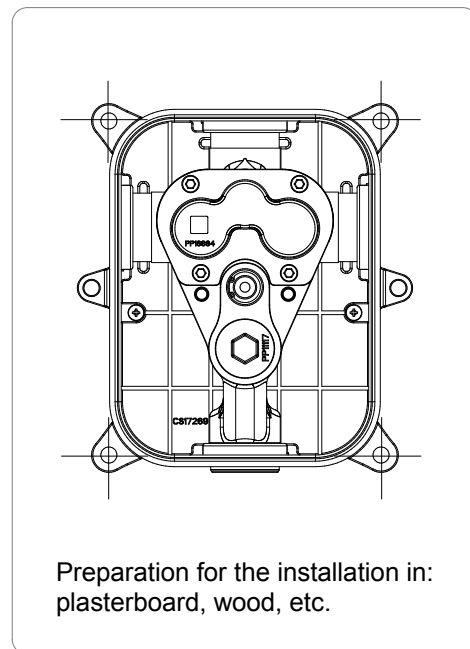
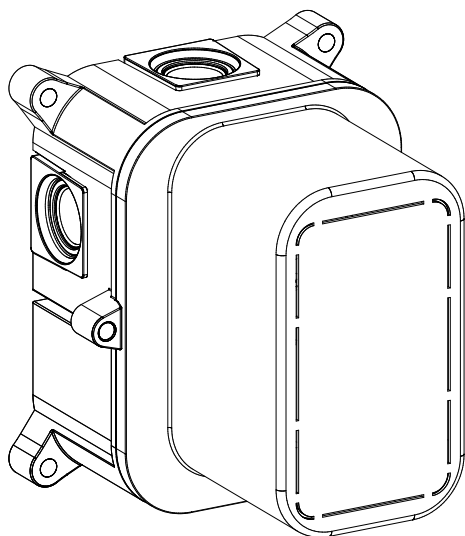
Universal concealed body with 1 or 2 outlets

Installation & Care Manual
Europe / International

CS-535

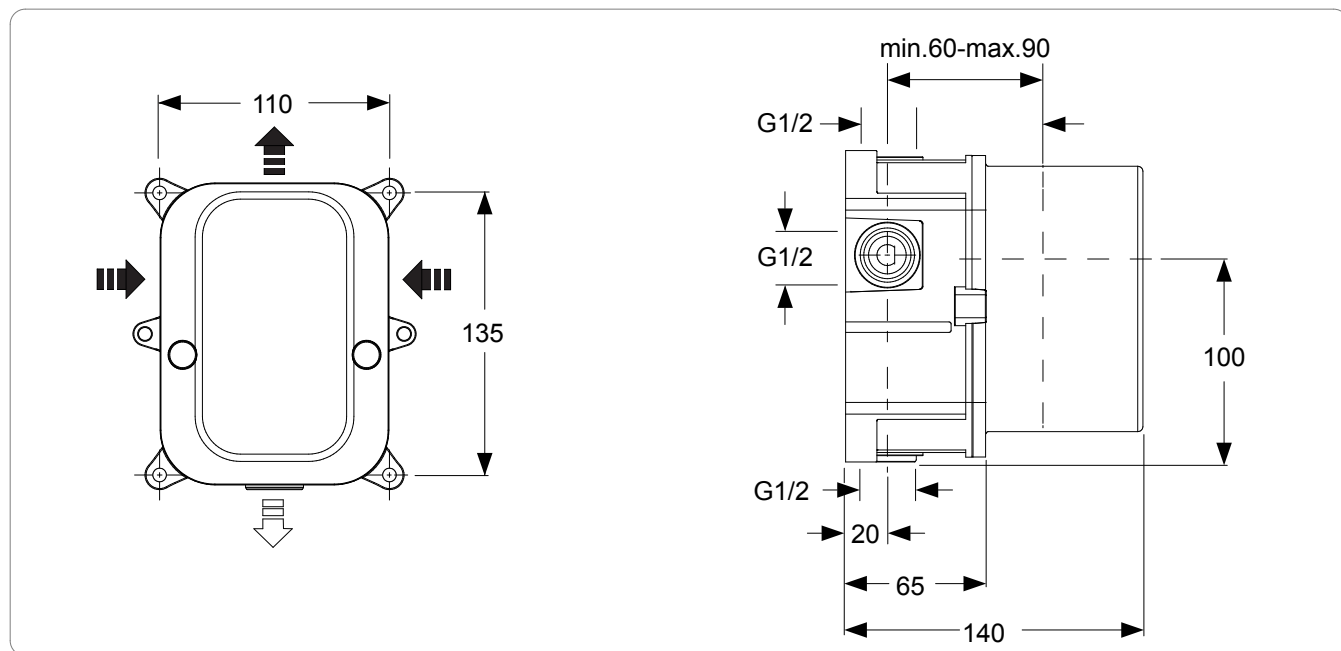
Universal concealed body with 1 or 2 outlets

PARTS LIST



Preparation for the installation in:
plasterboard, wood, etc.

MEASUREMENTS: mm

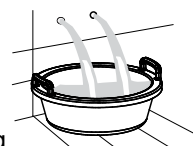


SPECIFICATIONS

Recommended operational pressure	1-5 bar
Maximum test pressure	16 bar
Maximum hot water temperature	80 °C
Recommended temperature	50-60 °C
Pressure difference between hot and cold water	max. 1,5 bar

IMPORTANT NOTE

- Installation to be performed by qualified personnel
- Before connecting to mains, bleed the pipes to avoid damage.



CS-535

Universal concealed body with 1 or 2 outlets

INSTALLATION SEQUENCE

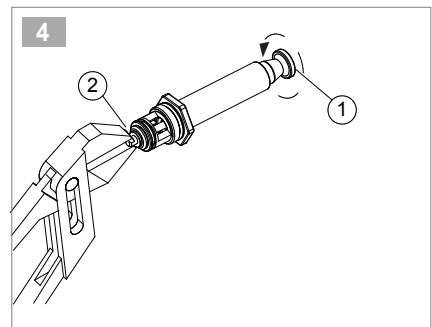
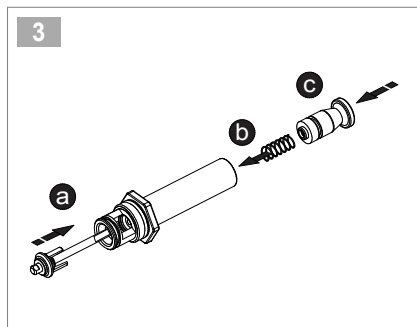
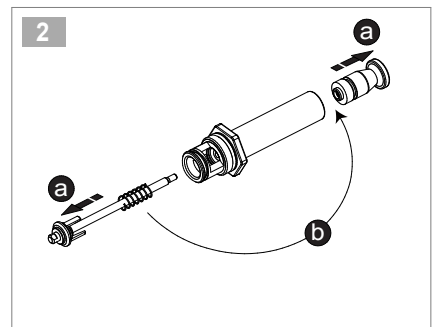
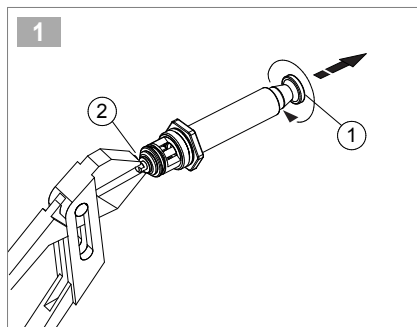
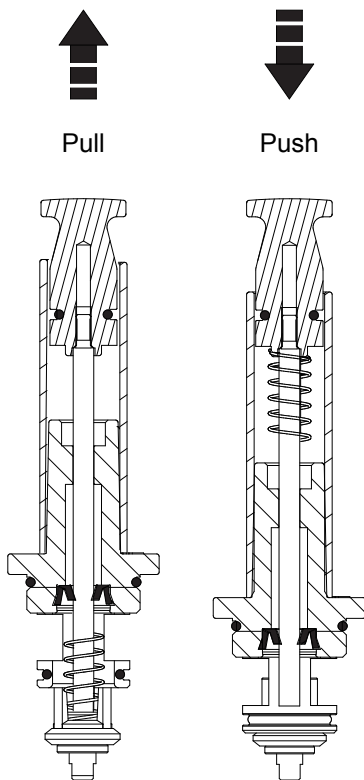
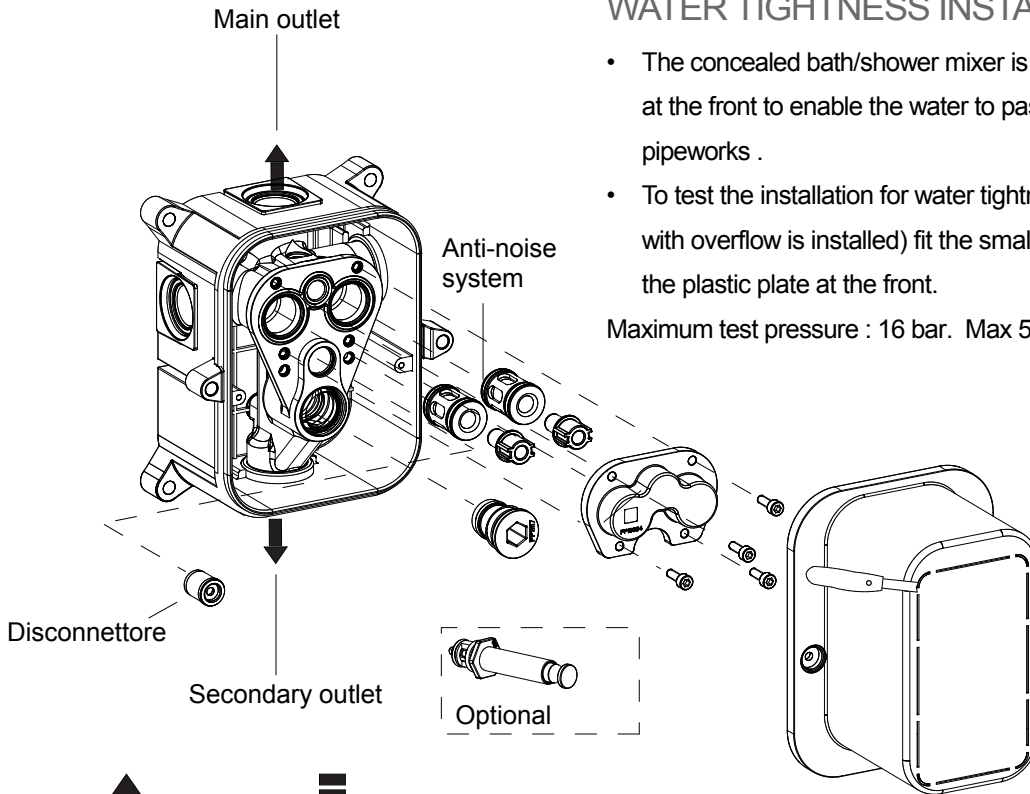
aquatica®

Function : Form : Fashion

SUGGESTIONS FOR FLUSHING OUT AND WATER TIGHTNESS INSTALLATION TEST

- The concealed bath/shower mixer is supplied with a plastic plate at the front to enable the water to pass through and flush out the pipework .
- To test the installation for water tightness (when a bath filler waste with overflow is installed) fit the small plastic plugs (10). Remove the plastic plate at the front.

Maximum test pressure : 16 bar. Max 5 min.



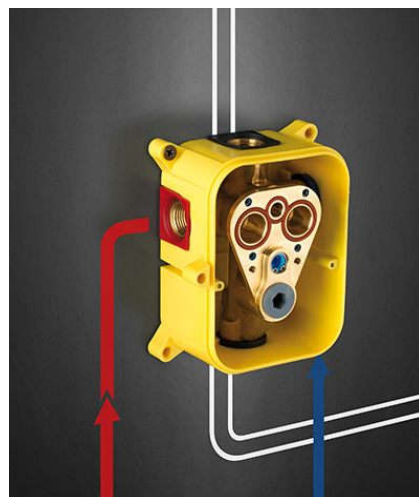
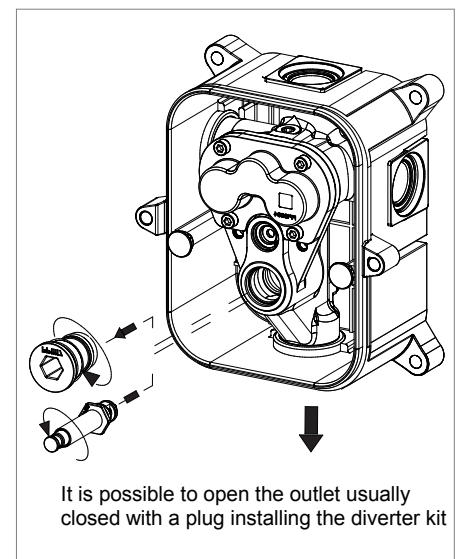
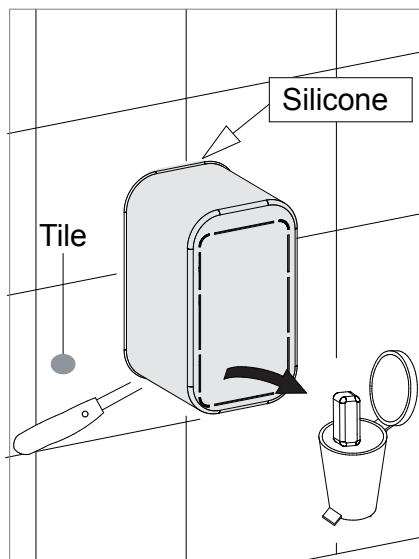
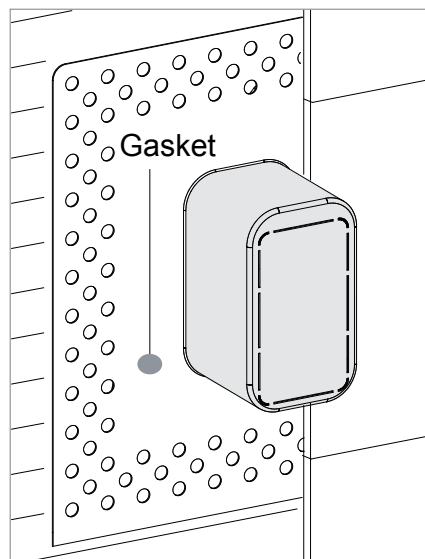
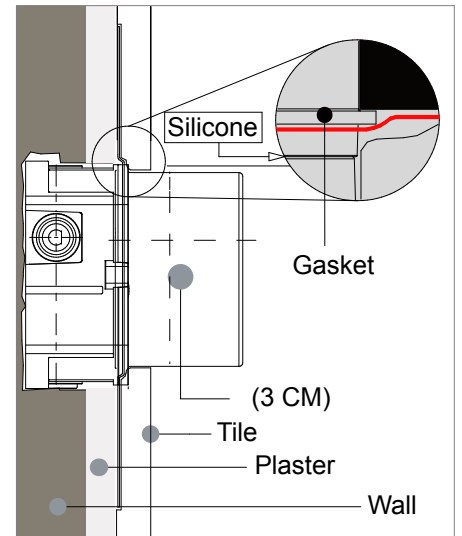
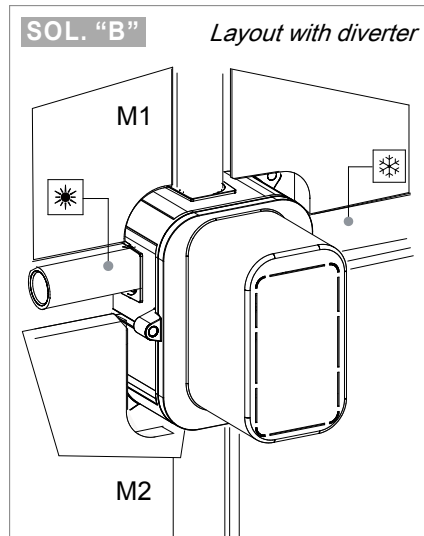
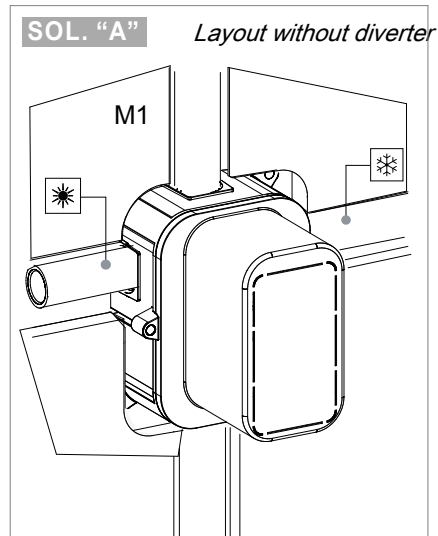
aquatica®

Function : Form : Fashion

CS-535

Universal concealed body with 1 or 2 outlets

INSTALLATION SEQUENCE



aquatica®

Function : Form : Fashion

